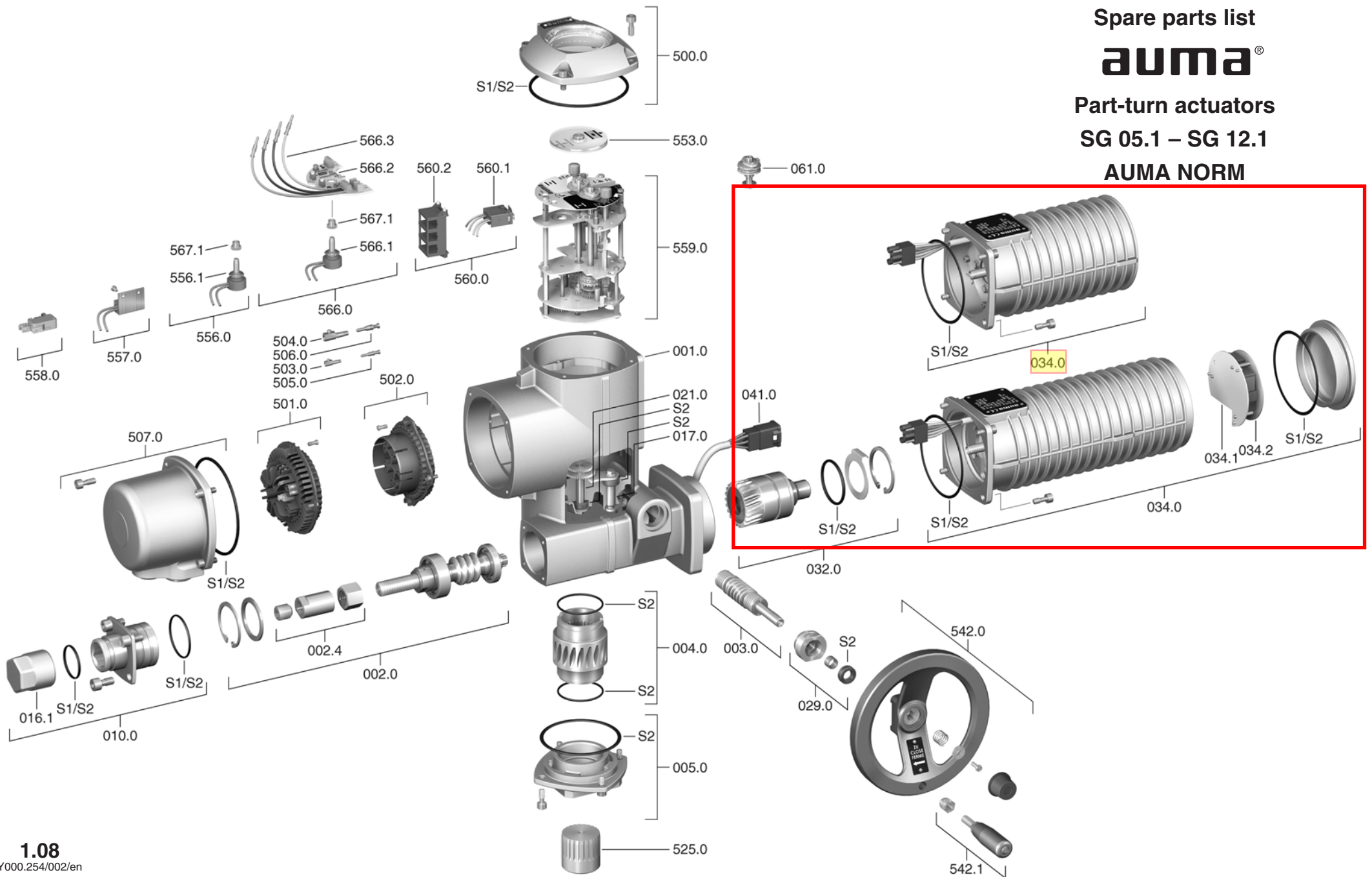


Spare parts list
auma[®]
 Part-turn actuators
 SG 05.1 – SG 12.1
AUMA NORM



Please state type and commission no. of the device (see name plate) when ordering spare parts. Only original AUMA spare parts should be used. Failure to use original spare parts voids the warranty and exempts AUMA from any liability. Delivered spare parts may slightly vary from the representation.

No.	Designation	Type
001.0	Housing	
002.0	Worm shaft	Sub-assembly
002.4	End stop nut (included in sub-assembly 002.0)	
003.0	Manual drive worm	Sub-assembly
004.0	Worm wheel	Sub-assembly
005.0	Mounting flange	Sub-assembly
010.0	Limit stop housing	Sub-assembly
016.1	Protective cap	
017.0	Torque finger	Sub-assembly
021.0	Limit drive finger	Sub-assembly
029.0	Manual drive bearing	Sub-assembly
032.0	Planetary gearing	Sub-assembly
034.0	Motor	Sub-assembly
034.1	Motor brake	Sub-assembly
034.2	Cover plate	Sub-assembly
041.0	Socket carrier with motor cable harness	Sub-assembly
061.0	Torque switching head	Sub-assembly
500.0	Cover	Sub-assembly
501.0	Socket carrier (complete with sockets)	Sub-assembly
502.0	Pin carrier without pins	Sub-assembly
503.0	Socket for controls	Sub-assembly
504.0	Socket for motor	Sub-assembly
505.0	Pin for controls	Sub-assembly
506.0	Pin for motor	Sub-assembly
507.0	Plug cover	Sub-assembly
525.0	Coupling	
542.0	Handwheel	Sub-assembly
542.1	Ball handle	Sub-assembly
553.0	Mechanical position indicator	Sub-assembly
556.0	Potentiometer for position transmitter	Sub-assembly
556.1	Potentiometer without slip clutch	Sub-assembly
557.0	Heater	Sub-assembly
558.0	Blinker transmitter including pins at wires (without impulse disc and insulation plate)	Sub-assembly
559.0-1	Control unit without torque switching heads and switches	Sub-assembly
559.0-2	Control unit with magnetic limit and torque transmitter (MWG) for Non-intrusive version in combination with AUMATIC integral controls	Sub-assembly
560.0-1	Switch stack for direction OPEN	Sub-assembly
560.0-2	Switch stack for direction CLOSE	Sub-assembly
560.1	Switch for limit/torque switching	
560.2	Switch case	
566.0	Position transmitter RWG	Sub-assembly
566.1	Potentiometer for RWG without slip clutch	Sub-assembly
566.2	Electronic board RWG	Sub-assembly
566.3	Wire harness for RWG	Sub-assembly
567.1	Slip clutch for potentiometer	
S1	Seal kit, small	Set
S2	Seal kit, large	Set

We reserve the right to alter data according to improvements made. Previous documents become invalid with the issue of this document.